

QLIGHT LED LAMP 200W HIGH BAY LIGHT

LED 200W

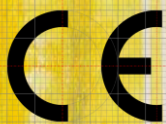
150lm/w

HIGH BAY LIGHT is an alternative light source with longer life and uniformed light distribution



RoHS

IP65





QLIGHT LIGHTING CO.

Model No.	QL-200/150-A008
Power	200W
Dimension	Ø400 *H145.2
Lumen	(150lm/w)
Light Output	30000 lm
Shell material	PC
Lifespan	50000 hours
Driver	AC100-240V, 50/60Hz
CCT	5000K
Rating life	50000 Hours
Beam Angle	120° degree
Color Accuracy(CRI)	70 Ra



+971 56 929 1303
+971 2 5532 104



sales@qlight.ae



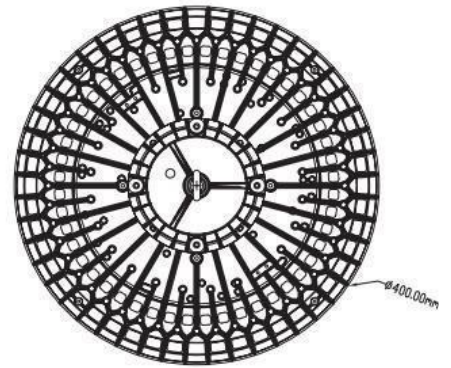
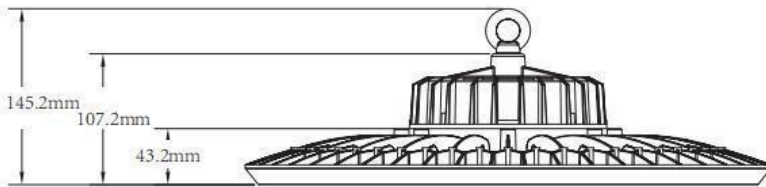
QLIGHT LIGHTING CO.



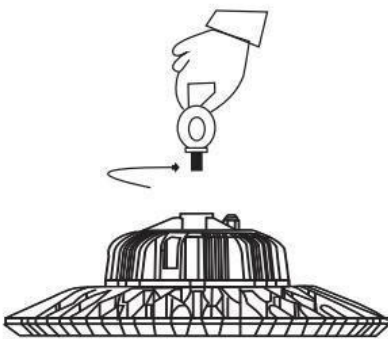
Abu Dhabi, Mohamed Bin
Zayed City , Al Mahrouz St,
Mazyad Mall Tower 3, 9 th Floor

Model No.	Watts	Lamp Size	Package Size	N.W.	G.W.
QL200/150-A008	200W	Ø400 *H145.2 mm	445*445*170 mm	3.5 KG	4.1 KG

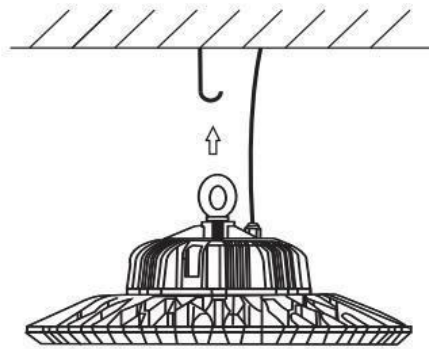
Drawing:



UFO200-60
UFO200-90
UFO200

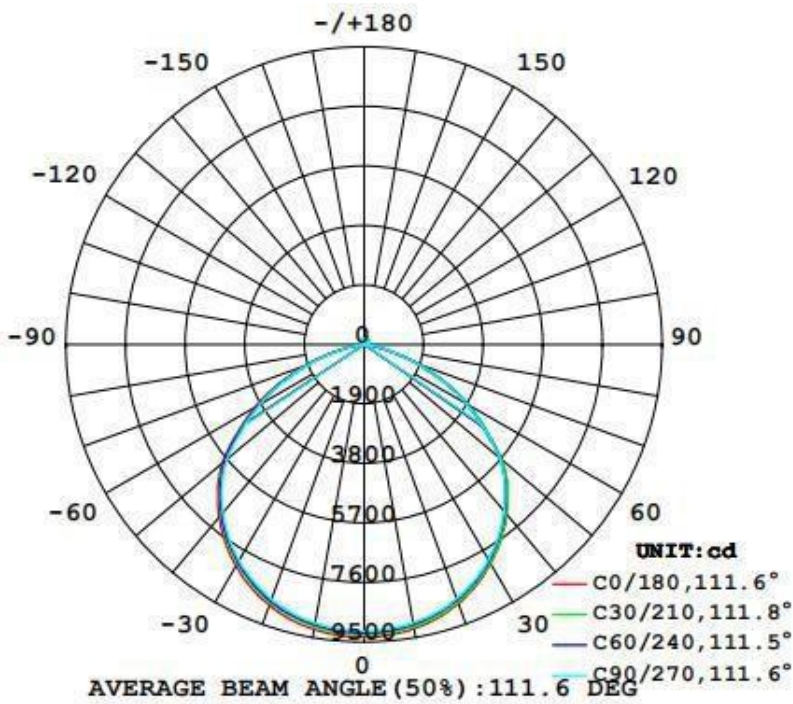


Step1
Turn the ring clockwise into the power supply



Step2
First, according to the graphic lamp hanging hook above, and then connect the power first

Luminance Intensity Distribution



Cone Lux Diagram

